

**Using an Evolving Criterion to Assess the
Federal Reserve's Behavior in Recent Years**

by

Daide Ferrari*
Antonio Ribba**

Luglio 2003

* Università degli Studi di Modena e Reggio Emilia
Dipartimento Scienze Sociali Cognitive e Quantitative
Via G. Giglioli Valle, 9
42100 Reggio Emilia (Italia)
e-mail: dferrari@stat.umn.edu
e-mail: ferrari.davide@unimore.it

** Università degli Studi di Modena e Reggio Emilia
Dipartimento di Economia Politica
Viale Berengario, 51
41100 Modena (Italia)
e-mail: ribba.antonio@unimore.it

Using an Evolving Criterion to Assess the Federal Reserve's Behavior in Recent Years

Davide Ferrari and Antonio Ribba*
University of Modena and Reggio Emilia, Italy

July 2003

Abstract

The aim of this paper is to analyse the behavior of the Federal Reserve in the Greenspan era by using recently developed neuro-fuzzy techniques. Such models require the operation assumptions concerning the conduction of monetary policy to be set in the form of flexible rules. Moreover, the approach allows an adaptive model to be built, thus pointing out the role played by the evolution of the monetary policy decision mechanism. Besides the usual set of macroeconomic variables, the input data set includes a stock market indicator. Our results show that the simulated series of the federal funds rate mimics almost perfectly the actual behaviour of the monetary policy instrument.

Jel Classification: C45; E58.

Keywords: Monetary policy; Neuro-fuzzy systems

1 Introduction

In recent years a large body of literature has investigated the central bank's behavior in relation to the conduction of monetary policy. The two main approaches which dominated the scene are based, respectively, on: (i) structural VAR models, an approach which aims to study the dynamic effects of identified monetary policy shocks on some key macroeconomic variables

* **Antonio Ribba** (corresponding author): Università di Modena and Reggio Emilia, Dipartimento di Economia Politica, Viale Berengario 51, 41100 Modena, Italy. Email: ribba.antonio@unimore.it. **Davide Ferrari**: School of Statistics, University of Minnesota, 313 Ford Hall, 224 Church Street S.E., Minneapolis, MN 55455. Email: dfer-rari@stat.umn.edu

(see, e.g. Christiano *et al.*, 1999); (ii) modeling the central bank's "reaction function", i.e. estimating structural equations representing the response of the monetary policy instrument to changes in economic conditions. These changes, in turn, are synthesized by the variations of a small set of variables, usually a measure of aggregate economic activity such as the unemployment gap or, alternatively the output gap, and a measure of inflation (see, e.g. Clarida *et al.*, 1998).

In this paper we take a different view on monetary policy and undertake an analysis, concerning the behavior of the Federal Reserve for the period 1987-2002, which is based on neuro-fuzzy techniques. Our main goal is to shape the evolution of the federal funds rate, that is the evolution of the Fed's policy instrument. In general, the neuro-fuzzy approach appears particularly useful in contexts of "vague knowledge" about the economic system and, moreover, in situations characterized by the ability of economic units to learn from their experience. Indeed, both these aspects seem to characterize the action of a central bank and require a conduction of monetary policy founded on the adoption of flexible rules.

Let us suppose an economic system be characterized by a phase of "low unemployment" (on passage: the economic situation faced by the Federal Reserve in the second half of the 1990s). Such a situation poses two separate questions: (i) the economic interpretation of "low unemployment"; (ii) the implications for the conduction of monetary policy. Clearly, this is a typical context of vague knowledge ("low" with respect to what?) and moreover a situation in which the central bank needs to develop a process of learning about possible structural changes affecting the economic system which may have led to a permanent reduction in the unemployment rate. Thus, from the point of view of the central bank, it appears sensible to adopt flexible rules. Note that rules based on "fuzzy" transformation of the variables in a small number of qualitative (linguistic) terms constitute one of the main features of the approach adopted in this paper.

It is worth pointing out that on a purely analytical ground some progress could be made by anchoring the notion of "low unemployment" to a "natural rate model", since in this case "low" would identify a condition experienced by the economic system in which the observed rate of unemployment falls below the long-run natural rate, thus providing a signal for future increases of the inflation rate and inducing the raise of the short-term interest rate. Unfortunately, even by adopting this framework, the vagueness cannot be eliminated: it is simply shifted towards the unobservable notion of "natural rate of unemployment"¹.

This paper deals with a Sugeno fuzzy model in order to develop a sys-

¹Staiger *et al.* (1997) provide a measure of the uncertainty about the NAIRU (non-accelerating inflation rate of unemployment) by estimating the standard errors associated with the estimation of the NAIRU itself. The conclusion they draw is that for the United States in the 90s the long-run equilibrium unemployment rate is between 4 and 8 percent.

tematic structure that generates fuzzy rules from a given input-output data set. The input data vector is given by the variables monitored by the Federal Reserve whereas the output is the monetary policy instrument. We assume that the following input variables be monitored by the central bank: the rate of growth of industrial production, the unemployment rate, the rate of inflation measured by the consumer price index (CPI) and an index of the stock market. As far as the instrument is concerned, it is widely recognized that apart from the short experience of the period 1980-1982 when, under Volcker's leadership a monetary aggregate was adopted, thereafter the federal funds rate has represented the monetary policy instrument.

Thus, we consider a small set of real and nominal variables. Moreover, we include an indicator of the state of confidence of the stock market. Indeed, a recent strand of research has explored the role played by the stock market in shaping the evolution of monetary policy in the Greenspan era (see *e.g.* Rigobon and Sack, 2003).

The central result of the paper is that the neuro-fuzzy model mimics almost perfectly the behavior of the federal funds rate in the last 16 years. Moreover, the inclusion in the input data set of an indicator of the stock market allows a significant improvement in the prediction of the federal funds rate.

The paper is organized as follows. In section 2 we briefly present the Sugeno fuzzy model adopted in this paper. Section 3 is devoted to the presentation of the simulation conducted for the period 1987-2002. In section 4 we confront the results obtained with the neuro-fuzzy approach with other conclusions drawn by adopting alternative views on the working of monetary policy. Section 5 concludes.

2 The Model

In this paper we propose an analysis of the behavior of the central bank based on neuro-fuzzy techniques. We concentrate on the US for the period 1987-2002 and use this approach to build an adaptive model, pointing out the role played by the evolution of the monetary policy decision mechanism.

Generally speaking, each individual entity follows its own internal reasoning paths in order to process the pieces of information coming from the external world. Moreover, not only do individuals use strictly subjective approaches to the world, but they also continuously modify their reasoning paths by information from the external environment.

Similarly, we consider the decision process of the Federal Reserve as if it were driven by the choice behavior of an individual entity. For, any central bank can be viewed as a single "brain" system that receives a collection of input variables describing the state of the economy.

Let us assume an adaptive behavior. From this point of view, not only

do the number and the type of the collected variables change, also decision criteria are adaptive through time. Moreover, also as an individual entity, the present decisions of the Federal Reserve are influenced by the historical memory of past output reactions (with respect to the input set considered). Thus, the evolving criterion adopted is closely influenced by memory of past decisions.

It is worth noticing that this kind of memorization is not a passive data storing but an active updating process. For, besides collecting data, the Fed uses the criteria available at a certain time in order to combine information about past reactions with updated data. Finally, a value of the monetary policy instrument is established.

2.1 Input and output data

Let us consider T examples of K -dimension data input vector, $\underline{v}_t = (v_{t1}, \dots, v_{tK})$, with $t = 1, \dots, T$, and the same number of target responses, z_t . In particular, we have monthly observations, starting from January 1970. The input data vector represents the set of variables monitored by the Federal Reserve. In this paper we consider as inputs: the Industrial Production Index, the Consumer Price Index, the Unemployment Rate and the S&P 500 Monthly Dividend Reinvestment², hence $K = 4$. The output, z_t , is the monetary policy instrument, namely the Federal Funds Rate. Thus, the starting data set is: $\{(\underline{v}_t, z_t)\}_{t=1}^T$.

First, we consider the *log* difference for the variables that are not expressed in terms of rates, then we take the average value of each variable over the last six months. Thus, we obtain $T - 6$ examples of input data vector, \underline{x}_t , and the same number of target responses of neural network given by z_t . These data represent the *training set* used: $\{(\underline{x}_t, z_t)\}_{t=6}^T$.

Hence, we consider the usual set of real and nominal variables which many believe to be under monitoring by central banks. However, we also include an indicator of the stock market. In doing so, we take seriously the repeated testimonies by Alan Greenspan in which the Federal Reserve Chairman has expressed his concern about equity prices. In particular, Greenspan has emphasized in recent years the role played by movements in the stock market in determining wealth effects capable of influencing aggregate consumption. Rigobon and Sack (2003) draw attention to another channel through which the stock market has affected the economic system in recent years provided by the influence on the cost of financing to businesses.

²The series are taken from FRED (Federal Reserve Economic Data) at the St. Louis Web site.

2.2 ANFIS architecture and Sugeno fuzzy model

This paper deals with an ANFIS³ architecture. The fuzzy model, at time t , can be formulated with R_t , a set of *if-then* rules:

$$R = \left\{ R_t^{(i)} \right\}_{i=1}^I = \left\{ \mathbf{IF} \ \mathbf{and}_{k=1}^K \ x_{tk} \ \text{is} \ A_k^{(i)} \ \mathbf{THEN} \ y_t = f_i(\underline{x}_t) \right\}_{i=1}^I \quad (1)$$

where $A_k^{(i)}$ denotes linguistic terms in antecedent and $y_t = f_i(\underline{x}_t)$ is a crisp function corresponding to the output of the fuzzy model. The neurons composing the neural network architecture are organized in layers.

Layer 1: The output of the i -th node of this layer⁴ is:

$$OL1_{tk}^{(i)} = \mu_{A_k^{(i)}}(x_{tk}) \quad (2)$$

Layer 2: Nodes of this layer multiply the incoming signals and send the product out. Each node output represents the firing strength $w_t^{(i)}$ of the corresponding rule. In general any T -norm operator will perform the fuzzy *AND* operator in this layer.

Layer 3: The output of the nodes in this layer are normalized firing strengths $\bar{w}_t^{(i)}$. The node function calculates the ratio of the i -th rule firing strength to the sum of rule firing strengths:

$$OL3_t^{(i)} = \bar{w}_t^{(i)} = \frac{w_t^{(i)}}{\sum_{i=1}^I w_t^{(i)}} \quad (3)$$

Layer 4: The output of the i -th node of this layer is:

$$OL4_t^{(i)} = \bar{w}_t^{(i)} f_i(\underline{x}_t) \quad (4)$$

Layer 5: The single node in this layer computes the overall system output as the summation of all incoming signals.

$$\phi_t = OL5_t = \sum_{i=1}^I \bar{w}_i f_i(\underline{x}_t) \quad (5)$$

A graphic representation is given in figure 1.

³ Adaptive Network-based Fuzzy Inference System. See, e.g. Jang, 1993.

⁴ As membership function we use a generalized bell-shaped function.

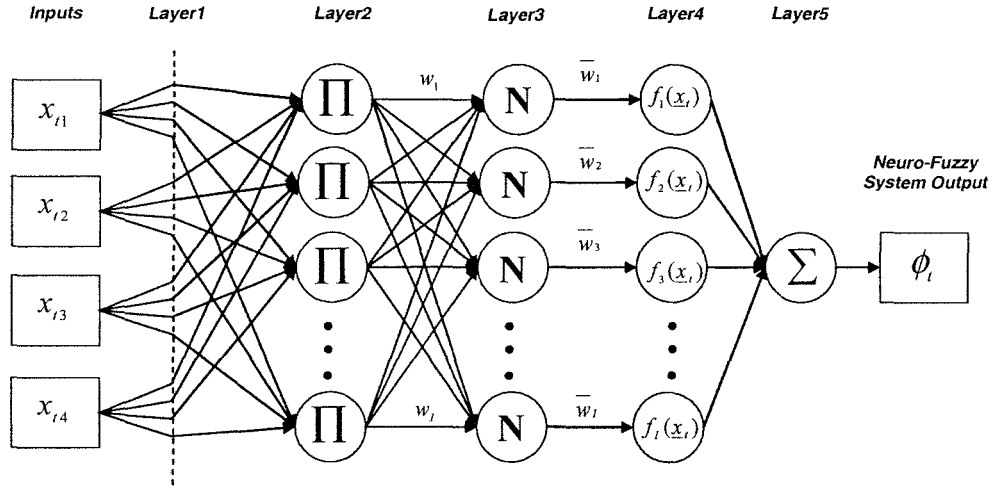


Figure 1: ANFIS multilayer architecture.

2.3 Data clustering and hybrid learning method

The clustering techniques give batchmode approaches to finding prototypes characterizing our data set which is used as the centers for fuzzy rules in the subsequent learning method. Given separate sets of input and output data, we generate a fuzzy inference system by using fuzzy subtractive clustering⁵. The subtractive clustering method allows us to extract an initial set of rules that models the data features.

First, given that each point \underline{x}_t could be a possible cluster center, we use the density measure at data vector \underline{x}_t defined as:

$$D_t = \sum_{j=1}^T \exp\left(-\frac{\|\underline{x}_t - \underline{x}_j\|^2}{(r_a/2)^2}\right) \quad (6)$$

where r_a is a positive constant. Notice that, if the value of density is high for a data vector, it means that it has several neighboring data vectors. In particular the radius r_a defines a neighborhood.

After calculating the density measure of each data point, the one with the highest density measure is elected as the first of the cluster center. Let \underline{x}_{c_1} be the vector selected and D_{c_1} its density measure. The density measure

⁵Proposed by Chiu, 1994.

of each data vector is revised by:

$$D_t = D_t - D_{c_1} \exp\left(-\frac{\|\underline{x}_t - \underline{x}_{c_1}\|^2}{(r_b/2)^2}\right) \quad (7)$$

where r_b is a positive constant. After revising the density measure for each data vector, the next cluster center \underline{x}_{c_2} is selected and all of the density measures for data points are revised again. This process is repeated until a sufficient number of cluster centers are generated. These cluster centers are reasonably used as the centers of the fuzzy rules' premise in a Sugeno fuzzy model.

If a reliable set of input-output data is available from the training dataset, and an initial set of rules that models the data behavior is extracted, then it is possible to generate the adaptive learning on measured data. Notice that we assume that we have the desired target output of network for inputs for training data set.

We use a two-pass learning cycle that consists of both forward and backward steps. In the forward pass of the hybrid algorithm, node outputs go forward until layer 4 and the consequent parameters are identified by the least squares method. In the backward pass, the error signals propagate backward and the premise parameters are updated by gradient descent. If we denote an input-output relation as a parametrized function $\phi = F(\underline{x}_t, S)$, where F denotes the overall function of the adaptive network, ϕ_t is the output value and S represents the set of parameters to optimize.

If there exists a function H such that the composite function $H \circ F$ is linear in some elements of S , then these elements can be identified by the Least Square method. If the parameter set is divided into two sets $S1$ and $S2$, it is defined as:

$$S = S1 \oplus S2 \quad (8)$$

where \oplus denotes direct sum, with $S = \{S1 \cup S2\}$, and $\{S1 \cap S2 = \emptyset\}$, such that $H \circ F$ is linear in the elements of $S2$, the function H can be known as:

$$H(\phi) = H \circ F(\underline{x}_t, S) \quad (9)$$

For given values of $S1$, using T training data, we can transform the above equation into the matrix equation $\mathbf{B} = \mathbf{A}\mathbf{X}$, where \mathbf{X} contains the elements of $S2$.

If $|S2| = M$, where M represents the number of linear parameters, then the dimension of matrix \mathbf{B} , \mathbf{X} and \mathbf{A} are $T \times 1$, $M \times 1$ and $T \times M$, respectively. This is solved by:

$$\mathbf{X}^* = (\mathbf{A}^{-1}\mathbf{A})^{-1}\mathbf{A}^T\mathbf{B} \quad (10)$$

where $(\mathbf{A}^{-1}\mathbf{A})^{-1}\mathbf{A}^T$ is the pseudo-inverse of \mathbf{A} , if $\mathbf{A}^{-1}\mathbf{A}$ is non-singular. The LSE minimizes the error $\|\mathbf{A}\mathbf{X} - \mathbf{B}\|^2$ by approximating \mathbf{X} with \mathbf{X}^* .

Let the t -th row vector of matrix \mathbf{A} be $a_t^{\mathbf{T}}$ and the t -th element of \mathbf{B} be $b_t^{\mathbf{T}}$. Then for $t = 0, 1, \dots, T - 1$ we can calculate:

$$\mathbf{X}_{t+1} = \mathbf{X}_t + \mathbf{P}_{t+1}a_{t+1}(y_t^{\mathbf{T}} - y_{t+1}^{\mathbf{T}} + b_{t+1}^{\mathbf{T}}\mathbf{P}_t) \quad (11)$$

$$\mathbf{P}_{t+1} = \mathbf{P}_t - \frac{\mathbf{P}_t a_t + b_{t+1}^{\mathbf{T}} \mathbf{P}_t}{1 + a_{t+1}^{\mathbf{T}} \mathbf{P}_t a_{t+1}}$$

The LSE \mathbf{X}^* is equal to \mathbf{X}_T . The initial condition of the system are $\mathbf{X}_0 = 0$ and $\mathbf{P}_0 = \gamma I$, where γ is a positive large number and I denotes the identity matrix of dimension $M \times M$.

Secondly, in the backward pass, the error signals, the derivatives of the error measure with respect to each node output, propagate from the output end toward the input end. The error measure E_t , for the t -th entry ($1 \leq t \leq T$) of the training data, is:

$$E_t = \sum_{i=1}^{N(L)} (d_i - O_{L,i})^2 \quad (12)$$

where $N(L)$ is the number of nodes in layer L , d_i is the i -th component of *desired* output vector and $O_{L,i}$ is the i -th component of *actual* output vector produced by presenting the t -th input vector to the network. We want to minimize the overall error measure $E = \sum_{t=1}^T E_t$. At the end of the backward pass for all training data the parameters in S_1 are updated by the steepest descent method. For the simple steepest descent method the update formula for the generic parameter α is:

$$\Delta\alpha_i = -\eta \frac{\partial^+ E}{\partial \alpha} \quad (13)$$

in which $\eta = \kappa / \sqrt{\sum_{\alpha} (\partial E / \partial \alpha)^2}$ denotes the learning rate, where κ is the step size, and $\partial^+ E / \partial \alpha$ is the ordered derivative.

2.4 Forecasting FED behavior

At any time t , a neuro-fuzzy architecture is produced from the training data set (\underline{x}_i, z_i) , $i = 1, \dots, t$, by the learning algorithm. Thus, we obtain a neuro-fuzzy system which has been trained by using data until the considered time. Such a system can be represented simply as a parametrized function of the variables monitored by the FED that changes over time, namely $F_t(\cdot)$.

The central bank makes use of its brain system trained until time t to decide a possible value for the monetary policy instrument with respect to the key variables at time $t + 1$. Furthermore, we suppose that the central bank weights its decision by the past value of the monetary policy instrument. Thus, the final output is obtained by taking into account the

tie represented by the value of the instrument ϕ_t that the FED fixes at the previous period of time:

$$\phi_{t+1} = (1 - \lambda)F_t(\underline{x}_{t+1}) + \lambda\phi_t \quad (14)$$

where λ denotes the weight of the monetary policy instrument at time t with respect to fuzzy model output at time $t + 1$.

3 The simulation conducted for the period 1987-2002

In this section we present a simulation of the Federal Reserve's behavior for the period from 1987 to 2002.

In our experiment we assumed that λ keeps constant for all the considered period. In particular, we fixed its value at $\lambda = 0.6$ which, in our view, represents a reasonable choice expressing the Federal Reserve path dependence with respect to past values of the monetary policy instrument. Indeed, it is well known that central banks usually modify the interest rate smoothly, thus avoiding abrupt changes in the conduction of monetary policy.

The simulation proceeds as follows.

1. At any given time, beginning from 1987, we produce a new neuro-fuzzy system from the pieces of information given by the training set at time t . Remember that the training set at time t is composed of both \underline{x}_t (decision relevant variables) and z_t (federal funds rate target responses).
2. Using values of \underline{x}_{t+1} in the system obtained allows us to generate the estimated value of the funds rate for the period $t + 1$.
3. We obtain a time series of the estimated values of the federal funds rate from 1987 to 2002 by repeating the steps above sequentially with respect to time and thus producing a neuro-fuzzy system for each month within the period of time considered. In other words we produce a number of systems equal to the number of estimates we generate.
4. We compare graphically the series of actual funds rate z_t with the series of simulated values ϕ_t obtained from the steps above.

In our latest experiments, we have introduced an indicator of the stock market. Let us point out that introducing such a variable has been fundamental in order to improve the experimental results. Figure 2 shows the similarity of the federal funds rate dynamics with respect to our prediction.

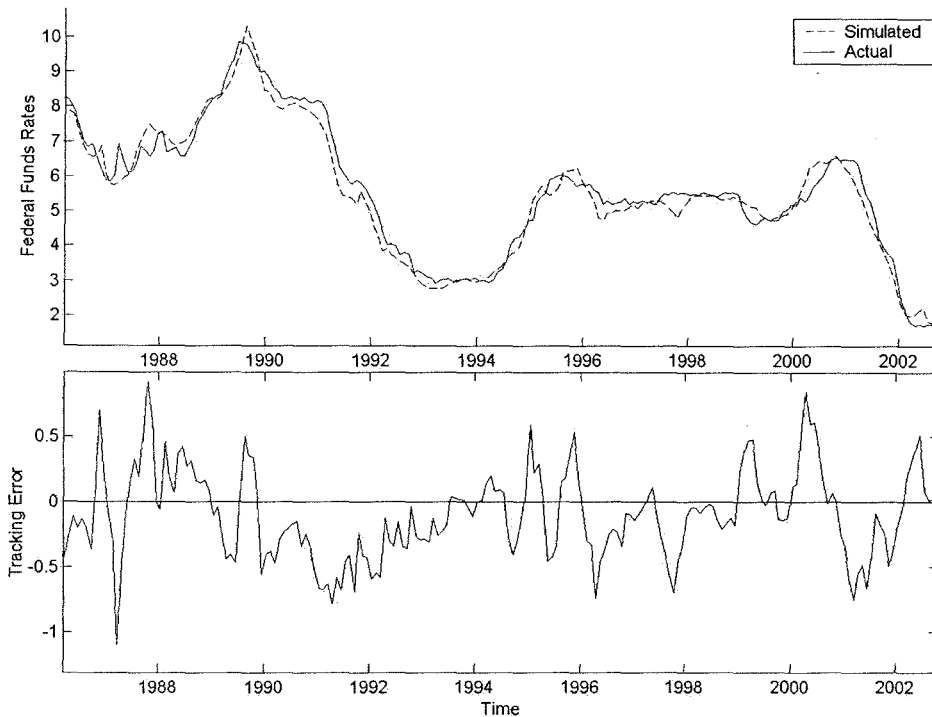


Figure 2: Actual and Simulated Federal Funds Rates.

Note that the model is able to capture not only the sign of the change in the target variable with respect to time, but also its percentage level. In fact, notice that the tracking error, Tr , simply defined as the difference between the two series, is $|Tr| \leq 1.1$ for each considered time.

Thus, the experimental results show the capability of our model to explain quite precisely the behavior of the federal funds rate. We do not detect, for most of the periods, a particular tendency for the simulated series to lead or lag the nominal interest rate. Nevertheless, it is worth noticing the ability of the estimated values to anticipate, at the beginning of 2000, the impending change in the conduction of monetary policy which in the subsequent months will have been dictated by the slowdown of the economy. A possible explanation of this result is that the stock market acted correctly, at least in this phase, as a leading indicator, reaching its peak at March 2000 whereas real macroeconomic data showing the first clear indications of the economic slowdown appeared only about six months later. Of course, given the importance that the Federal Reserve attributes to movements in the stock market, the collapse which followed the period of "irrational exuberance" exerted an important influence on the conduction of monetary policy, reinforcing the

bias of the central bank towards the loosening of monetary conditions.⁶

4 A Comparison with the Results Obtained by Adopting Alternative Approaches

The impressive result shown in the previous section is that a simple ANFIS architecture combined with a Sugeno fuzzy model is able closely to reproduce the path followed by the federal funds rate in the last 16 years.

The aim of this section is briefly to compare the approach and the results obtained in the present paper with other leading lines of research concerning the analysis of monetary policy.

We have emphasized that the two pre-eminent approaches in recent decades were, respectively, (i) Structural VAR models aiming to trace back the dynamic effects of monetary policy shock on a selected set of macroeconomic variables and (ii) estimation, by using traditional econometric techniques, of the central bank's reaction function.

Let us then assume that the Federal Reserve adopts the federal funds rate as its monetary policy instrument. Systematic policy can be expressed by:

$$\phi_t = F(\Omega_t) + \epsilon_t \quad (15)$$

where Ω_t represents the information set of the policy makers. Hence, $F(\Omega_t)$ provides the systematic component of monetary policy whereas ϵ_t represents the unexpected component, i.e. the monetary policy shock.

In the VAR literature Ω_t usually contains a set of variables which can be ideally separated into target variables, e.g. unemployment and inflation, and other macroeconomic series that are useful for predicting the future behavior of some key variables, e.g. the commodity price index. In order to study the dynamic effects on inflation and unemployment of a monetary policy shock, a set of identifying restrictions needs to be imposed. For example, in Christiano *et al.*, (1999) a causal (recursive) structure is assumed on the basis of informational assumptions regarding the conduction of policy.

Undoubtedly, both the approaches gave important insights into the working of monetary policy and its effects, at different frequencies, on the economic system. Nevertheless, they have been subject to some criticism. As far as the structural VAR approach is concerned, perhaps the most important shortcoming derives from the conclusion, common to many empirical investigations and robust to different strategies of identifying restrictions, that only a small part of output variance can be ascribed to monetary policy shocks and that a dominant role is instead played by the systematic

⁶We wish to emphasize that introducing an indicator of the stock market revealed itself of paramount importance in enabling an improvement of the experimental results. We also conducted a simulation (not reported here) without including the stock market and found a relevant deterioration in the prediction of the federal funds rate.

component of monetary policy. In other words, the surprise component of monetary policy is likely to represent only a secondary channel through which the central bank influences the economic system⁷.

Such shortcomings have led a number of researchers (see, e.g. Clarida *et al.*, 1998) to concentrate on the systematic component of monetary policy. As for the estimation of central bank's reaction functions, a good deal of uncertainty is related to the selection of a set of unobservable economic variables, the most important being the output gap. Moreover, a recent strand of research has drawn attention to the possibility of systematic errors in assessments regarding the outlook of the economy in real time and hence, as a consequence, also the implementation of simple rules turns out to be complex in practice (see, e.g. Orphanides, 2001).

As far as the question of estimating unobservable macroeconomic variables is concerned, it is worth pointing out that the approach of this paper does not face this kind of problems. The reason is that in the context of fuzzy logic a precise indicator of the macroeconomic conditions, such as the natural level of output, has little sense since, within this approach, it is never completely true or false that the economic system is experiencing a phase of high or slow growth: this characterization of the economic situation obtains only a certain degree of membership, and such memberships are not sharply separated.

Nevertheless, we believe that the most important question arising from the recent research on modeling the central bank's reaction functions, attains the fixed coefficients response which it imposes on the Fed's behavior. It is unbelievable that the central bank, over a period of 16 years, always reacted in the same way and with the same magnitude to discrepancies between target and observed values of macroeconomic variables.

In this paper we have repeatedly emphasized, the advantage of an evolutive approach to monetary policy since it affords the central bank the possibility to learn from its experience and, moreover, it defines the operation assumptions in the form of flexible rules, thus providing a more adequate characterization of the behavior of the central bank.

5 Conclusions

The simulation conducted in this paper has shown that the neuro-fuzzy approach to the behavior of the central bank represents an interesting alternative to the characterization of U.S. monetary policy based on the estimation of structural equations, since it allows a good description of the behavior of the monetary policy instrument, i.e. the federal funds rate.

Following the seminal work of Taylor (1993), structural equation models usually analyze the systematic response of the nominal interest rate to the

⁷A recent and comprehensive survey is provided by Christiano *et al.*, 1999.

contemporaneous (and possibly lagged) values of inflation and the output gap. Indeed, it is easily recognized that central banks monitor a wider set of variables, including indicators of the stock market. Thus, in the present paper we found that inclusion in the input data set of an indicator of the state of confidence of the stock market turned out to be very important in shaping the behavior of the federal funds rate in recent years. Note that an extension of the input data set is also possible in the context of the estimation of monetary policy rules. However, serious problems of simultaneity are likely to arise.

In our view, another important shortcoming of the traditional econometric techniques (included the structural VAR approach) applied to monetary policy is that they predict a fixed response of nominal interest rates in the presence of discrepancies between target and observed values of macroeconomic variables. For example, in the Greenspan era, the estimated consensus coefficient regarding the response of the Federal Reserve to current inflation is slightly above one. The implication is that throughout the 16 years of Greenspan's headship in all the cases in which a proxy of the future inflation was 1 percent above the target, there has been an increase in the federal funds rate of slightly more than one percent. Clearly, this imposes a strait jacket on the conduction of monetary policy since it does not allow for flexibility and, not less important, prevents the possibility for the Fed to develop a process of learning about the working of the economic system.

The neuro-fuzzy approach avoids this rigidity since: (i) it allows the Fed the possibility to learn from its experience; (ii) The Fed is faced with a complex system and, as a consequence, the operation assumptions need to be set in form of vague (flexible) rules. Ambiguous concepts like normal unemployment or low inflation depend upon the historical and economic context: in the 1990s the notion of normal unemployment (and low inflation) was very different as compared to one or two decades before. Indeed, the adoption of vague rules is the essence of fuzzy systems whereas flexibility is a feature of artificial neural networks.

Acknowledgements. We wish to thank Andrea Ginzburg for helpful suggestions.

References

- Chiu, S.L., 1994. Fuzzy Model Identification Based on Cluster Estimation. *Journal of Intelligent and Fuzzy Systems* 2(3), 267–278.
- Christiano, L., Eichenbaum, M., Evans, C.L., 1999. Monetary Policy Shocks: What Have We Learned and to What End?, In J. B. Taylor and M. Woodford, Eds., *Handbook of Macroeconomics*, North Holland, Amsterdam.

Clarida, R., Galí, J., Gertler, M., 1998. Monetary Policy Rules in Practice: Some International Evidence. *European Economic Review* 42, 1033-1067.

Czogala, E., Leşky, J., 2000. *Fuzzy and Neuro-Fuzzy Intelligent Systems*, Physica-Verlag Heidelberg, New York.

Jang, J.-S.R., 1993. ANFIS: Adaptive-Network-based Fuzzy Inference Systems. *IEEE Transaction on Systems, Man and Cybernetics* 23(5/6), 23, 665-685.

Jang, J.-S.R., N.Gulley, 1995. *The Fuzzy Logic Toolbox for use with Matlab*, The Mathworks Inc. Natick, MA.

Jang, J.-S.R., Sun C.-T., Mizutani E., 1997. *Neuro-Fuzzy and Soft Computing. A Computational Approach to Learning and Machine Intelligence*, Prentice Hall, Upper Saddle River, NJ.

Orphanides, A., 2001. Monetary Policy Rules Based on Real-Time Data. *American Economic Review* 91, 964-985.

Rigobon, R., Sack, B., 2003. Measuring the Reaction of Monetary Policy to the Stock Market. *Quarterly Journal of Economics* 118, 639-669.

Staiger, D., Stock, J., Watson, M., 1997. The Nairu, Unemployment and Monetary Policy. *Journal of Economic Perspectives* 11, 33-49.

Takagi, T., Sugeno, M., 1985. Fuzzy Identification Systems and its Application to Modeling and Control, *IEEE Transaction on Systems, Man and Cybernetics* 15(1), 116-132.

Taylor, J., 1993. Discretion versus Policy Rules in Practice. *Carnegie-Rochester Conference Series on Public Policy* 39, 195-214.

Ziemmermann H.-J., 1996. *Fuzzy Set Theory and its Applications*, Kluwer Academic Publishers, Norwell, MA.

1. Maria Cristina Marcuzzo [1985] "Joan Violet Robinson (1903-1983)", pp. 134
2. Sergio Lugaresi [1986] "Le imposte nelle teorie del sovrappiù", pp. 26
3. Massimo D'Angelillo e Leonardo Paggi [1986] "PCI e socialdemocrazie europee. Quale riformismo?", pp. 158
4. Gian Paolo Caselli e Gabriele Pastrello [1986] "Un suggerimento hobsoniano su terziario ed occupazione: il caso degli Stati Uniti 1960/1983", pp. 52
5. Paolo Bosi e Paolo Silvestri [1986] "La distribuzione per aree disciplinari dei fondi destinati ai Dipartimenti, Istituti e Centri dell'Università di Modena: una proposta di riforma", pp. 25
6. Marco Lippi [1986] "Aggregation and Dynamics in One-Equation Econometric Models", pp. 64
7. Paolo Silvestri [1986] "Le tasse scolastiche e universitarie nella Legge Finanziaria 1986", pp. 41
8. Mario Forni [1986] "Storie familiari e storie di proprietà. Itinerari sociali nell'agricoltura italiana del dopoguerra", pp. 165
9. Sergio Paba [1986] "Gruppi strategici e concentrazione nell'industria europea degli elettrodomestici bianchi", pp. 56
10. Nerio Naldi [1986] "L'efficienza marginale del capitale nel breve periodo", pp. 54
11. Fernando Vianello [1986] "Labour Theory of Value", pp. 31
12. Piero Ganugi [1986] "Risparmio forzato e politica monetaria negli economisti italiani tra le due guerre", pp. 40
13. Maria Cristina Marcuzzo e Annalisa Rosselli [1986] "The Theory of the Gold Standard and Ricardo's Standard Commodity", pp. 30
14. Giovanni Solinas [1986] "Mercati del lavoro locali e carriere di lavoro giovanili", pp. 66
15. Giovanni Bonifati [1986] "Saggio dell'interesse e domanda effettiva. Osservazioni sul cap. 17 della General Theory", pp. 42
16. Marina Murat [1986] "Between old and new classical macroeconomics: notes on Lejohufvud's notion of full information equilibrium", pp. 20
17. Sebastiano Brusco e Giovanni Solinas [1986] "Mobilità occupazionale e disoccupazione in Emilia Romagna", pp. 48
18. Mario Forni [1986] "Aggregazione ed esogeneità", pp. 13
19. Sergio Lugaresi [1987] "Redistribuzione del reddito, consumi e occupazione", pp. 17
20. Fiorenzo Sperotto [1987] "L'immagine neopopulista di mercato debole nel primo dibattito sovietico sulla pianificazione", pp. 34
21. M. Cecilia Guerra [1987] "Benefici tributari nel regime misto per i dividendi proposto dalla commissione Sarcinelli: una nota critica", pp. 9
22. Leonardo Paggi [1987] "Contemporary Europe and Modern America: Theories of Modernity in Comparative Perspective", pp. 38
23. Fernando Vianello [1987] "A Critique of Professor Goodwin's 'Critique of Sraffa'", pp. 12
24. Fernando Vianello [1987] "Effective Demand and the Rate of Profits. Some Thoughts on Marx, Kalecki and Sraffa", pp. 41
25. Anna Maria Sala [1987] "Banche e territorio. Approccio ad un tema geografico-economico", pp. 40
26. Enzo Mingione e Giovanni Mottura [1987] "Fattori di trasformazione e nuovi profili sociali nell'agricoltura italiana: qualche elemento di discussione", pp. 36
27. Giovanna Procacci [1988] "The State and Social Control in Italy During the First World War", pp. 18
28. Massimo Matteuzzi e Annamaria Simonazzi [1988] "Il debito pubblico", pp. 62
29. Maria Cristina Marcuzzo (a cura di) [1988] "Richard F. Kahn. A disciple of Keynes", pp. 118
30. Paolo Bosi [1988] "MICROMOD. Un modello dell'economia italiana per la didattica della politica fiscale", pp. 34
31. Paolo Bosi [1988] "Indicatori della politica fiscale. Una rassegna e un confronto con l'aiuto di MICROMOD", pp. 25
32. Giovanna Procacci [1988] "Protesta popolare e agitazioni operaie in Italia 1915-1918", pp. 45
33. Margherita Russo [1988] "Distretto Industriale e servizi. Uno studio dei trasporti nella produzione e nella vendita delle piastrelle", pp. 157
34. Margherita Russo [1988] "The effect of technical change on skill requirements: an empirical analysis", pp. 28
35. Carlo Grillenzoni [1988] "Identification, estimation of multivariate transfer functions", pp. 33
36. Nerio Naldi [1988] "'Keynes' concept of capital", pp. 40
37. Andrea Ginzburg [1988] "Locomotiva Italia?", pp. 30
38. Giovanni Mottura [1988] "La 'persistenza' secolare. Appunti su agricoltura contadina ed agricoltura familiare nelle società industriali", pp. 40
39. Giovanni Mottura [1988] "L'anticamera dell'esodo. I contadini italiani della 'restaurazione contrattuale' fascista alla riforma fondiaria", pp. 40
40. Leonardo Paggi [1988] "Americanismo e riformismo. La socialdemocrazia europea nell'economia mondiale aperta", pp. 120
41. Annamaria Simonazzi [1988] "Fenomeni di isteresi nella spiegazione degli alti tassi di interesse reale", pp. 44
42. Antonietta Bassetti [1989] "Analisi dell'andamento e della casualità della borsa valori", pp. 12
43. Giovanna Procacci [1989] "State coercion and worker solidarity in Italy (1915-1918): the moral and political content of social unrest", pp. 41
44. Carlo Alberto Magni [1989] "Reputazione e credibilità di una minaccia in un gioco bargaining", pp. 56
45. Giovanni Mottura [1989] "Agricoltura familiare e sistema agroalimentare in Italia", pp. 84
46. Mario Forni [1989] "Trend, Cycle and 'Fortuitous cancellation': a Note on a Paper by Nelson and Plosser", pp. 4
47. Paolo Bosi, Roberto Golinelli, Anna Stagni [1989] "Le origini del debito pubblico e il costo della stabilizzazione", pp. 26
48. Roberto Golinelli [1989] "Note sulla struttura e sull'impiego dei modelli macroeconomici", pp. 21
49. Marco Lippi [1989] "A Short Note on Cointegration and Aggregation", pp. 11
50. Gian Paolo Caselli e Gabriele Pastrello [1989] "The Linkage between Tertiary and Industrial Sector in the Italian Economy: 1951-1988. From an External Dependence to an International One", pp. 40
51. Gabriele Pastrello [1989] "François Quesnay: dal Tableau Zig-zag al Tableau Formule: una ricostruzione", pp. 48
52. Paolo Silvestri [1989] "Il bilancio dello stato", pp. 34
53. Tim Mason [1990] "Tre seminari di storia sociale contemporanea", pp. 26
54. Michele Lalla [1990] "The Aggregate Escape Rate Analysed through the Queuing Model", pp. 23
55. Paolo Silvestri [1990] "Sull'autonomia finanziaria dell'università", pp. 11
56. Paola Bertolini, Enrico Giovannetti [1990] "Uno studio di 'filiera' nell'agroindustria. Il caso del Parmigiano Reggiano", pp. 164

57. Paolo Bosi, Roberto Golinelli, Anna Stagni [1990] "Effetti macroeconomici, settoriali e distributivi dell'armonizzazione dell'IVA", pp. 24
58. Michele Lalla [1990] "Modelling Employment Spells from Emilia Labour Force Data", pp. 18
59. Andrea Ginzburg [1990] "Politica Nazionale e commercio internazionale", pp. 22
60. Andrea Giommi [1990] "La probabilità individuale di risposta nel trattamento dei dati mancanti", pp. 13
61. Gian Paolo Caselli e Gabriele Pastrello [1990] "The service sector in planned economies. Past experiences and future prospectives", pp. 32
62. Giovanni Solinas [1990] "Competenze, grandi industrie e distretti industriali. Il caso Magneti Marelli", pp. 23
63. Andrea Ginzburg [1990] "Debito pubblico, teorie monetarie e tradizione civica nell'Inghilterra del Settecento", pp. 30
64. Mario Forni [1990] "Incertezza, informazione e mercati assicurativi: una rassegna", pp. 37
65. Mario Forni [1990] "Misspecification in Dynamic Models", pp. 19
66. Gian Paolo Caselli e Gabriele Pastrello [1990] "Service Sector Growth in CPE's: An Unsolved Dilemma", pp. 28
67. Paola Bertolini [1990] "La situazione agro-alimentare nei paesi ad economia avanzata", pp. 20
68. Paola Bertolini [1990] "Sistema agro-alimentare in Emilia Romagna ed occupazione", pp. 65
69. Enrico Giovannetti [1990] "Efficienza ed innovazione: il modello "fondi e flussi" applicato ad una filiera agro-industriale", pp. 38
70. Margherita Russo [1990] "Cambiamento tecnico e distretto industriale: una verifica empirica", pp. 115
71. Margherita Russo [1990] "Distretti industriali in teoria e in pratica: una raccolta di saggi", pp. 119
72. Paolo Silvestri [1990] "La Legge Finanziaria. Voce dell'enciclopedia Europea Garzanti", pp. 8
73. Rita Paltrinieri [1990] "La popolazione italiana: problemi di oggi e di domani", pp. 57
74. Enrico Giovannetti [1990] "Illusioni ottiche negli andamenti delle grandezze distributive: la scala mobile e l'appiattimento delle retribuzioni in una ricerca", pp. 120
75. Enrico Giovannetti [1990] "Crisi e mercato del lavoro in un distretto industriale: il bacino delle ceramiche. Sez. I", pp. 150
76. Enrico Giovannetti [1990] "Crisi e mercato del lavoro in un distretto industriale: il bacino delle ceramiche. Sez. II", pp. 145
78. Antonietta Bassetti e Costanza Torricelli [1990] "Una riqualificazione dell'approccio bargaining alla selezione di portafoglio", pp. 4
77. Antonietta Bassetti e Costanza Torricelli [1990] "Il portafoglio ottimo come soluzione di un gioco bargaining", pp. 15
79. Mario Forni [1990] "Una nota sull'errore di aggregazione", pp. 6
80. Francesca Bergamini [1991] "Alcune considerazioni sulle soluzioni di un gioco bargaining", pp. 21
81. Michele Grillo e Michele Polo [1991] "Political Exchange and the allocation of surplus: a Model of Two-party competition", pp. 34
82. Gian Paolo Caselli e Gabriele Pastrello [1991] "The 1990 Polish Recession: a Case of Truncated Multiplier Process", pp. 26
83. Gian Paolo Caselli e Gabriele Pastrello [1991] "Polish firms: Private Vices and Public Virtues", pp. 20
84. Sebastiano Brusco e Sergio Paba [1991] "Conessioni, competenze e capacità concorrenziale nell'industria della Sardegna", pp. 25
85. Claudio Grimaldi, Rony Hamoui, Nicola Rossi [1991] "Non marketable assets and households' Portfolio Choice: a Case of Study of Italy", pp. 38
86. Giulio Righi, Massimo Baldini, Alessandra Brambilla [1991] "Le misure degli effetti redistributivi delle imposte indirette: confronto tra modelli alternativi", pp. 47
87. Roberto Fanfani, Luca Lanini [1991] "Innovazione e servizi nello sviluppo della meccanizzazione agricola in Italia", pp. 35
88. Antonella Caiumi e Roberto Golinelli [1992] "Stima e applicazioni di un sistema di domanda Almost Ideal per l'economia italiana", pp. 34
89. Maria Cristina Marcuzzo [1992] "La relazione salari-occupazione tra rigidità reali e rigidità nominali", pp. 30
90. Mario Biagioli [1992] "Employee financial participation in enterprise results in Italy", pp. 50
91. Mario Biagioli [1992] "Wage structure, relative prices and international competitiveness", pp. 50
92. Paolo Silvestri e Giovanni Solinas [1993] "Abbandoni, esiti e carriera scolastica. Uno studio sugli studenti iscritti alla Facoltà di Economia e Commercio dell'Università di Modena nell'anno accademico 1990/1991", pp. 30
93. Gian Paolo Caselli e Luca Martinelli [1993] "Italian GPN growth 1890-1992: a unit root or segmented trend representation?", pp. 30
94. Angela Politi [1993] "La rivoluzione fraintesa. I partigiani emiliani tra liberazione e guerra fredda, 1945-1955", pp. 55
95. Alberto Rinaldi [1993] "Lo sviluppo dell'industria metalmeccanica in provincia di Modena: 1945-1990", pp. 70
96. Paolo Emilio Mistrulli [1993] "Debito pubblico, intermediari finanziari e tassi d'interesse: il caso italiano", pp. 30
97. Barbara Pistoresi [1993] "Modelling disaggregate and aggregate labour demand equations. Cointegration analysis of a labour demand function for the main sectors of the Italian economy: 1950-1990", pp. 45
98. Giovanni Bonifati [1993] "Progresso tecnico e accumulazione di conoscenza nella teoria neoclassica della crescita endogena. Una analisi critica del modello di Romer", pp. 50
99. Marcello D'Amato e Barbara Pistoresi [1994] "The relationship(s) among Wages, Prices, Unemployment and Productivity in Italy", pp. 30
100. Mario Forni [1994] "Consumption Volatility and Income Persistence in the Permanent Income Model", pp. 30
101. Barbara Pistoresi [1994] "Using a VECM to characterise the relative importance of permanent and transitory components", pp. 28
102. Gian Paolo Caselli and Gabriele Pastrello [1994] "Polish recovery: from the slump to an old dilemma", pp. 20
103. Sergio Paba [1994] "Imprese visibili, accesso al mercato e organizzazione della produzione", pp. 20
104. Giovanni Bonifati [1994] "Progresso tecnico, investimenti e capacità produttiva", pp. 30
105. Giuseppe Marotta [1994] "Credit view and trade credit: evidence from Italy", pp. 20
106. Margherita Russo [1994] "Unit of investigation for local economic development policies", pp. 25
107. Luigi Brighi [1995] "Monotonicity and the demand theory of the weak axioms", pp. 20
108. Mario Forni e Lucrezia Reichlin [1995] "Modelling the impact of technological change across sectors and over time in manufacturing", pp. 25
109. Marcello D'Amato and Barbara Pistoresi [1995] "Modelling wage growth dynamics in Italy: 1960-1990", pp. 38
110. Massimo Baldini [1995] "INDIMOD. Un modello di microsimulazione per lo studio delle imposte indirette", pp. 37

111. Paolo Bosi [1995] "Regionalismo fiscale e autonomia tributaria: l'emersione di un modello di consenso", pp. 38
112. Massimo Baldini [1995] "Aggregation Factors and Aggregation Bias in Consumer Demand", pp. 33
113. Costanza Torricelli [1995] "The information in the term structure of interest rates. Can stochastic models help in resolving the puzzle?" pp. 25
114. Margherita Russo [1995] "Industrial complex, pôle de développement, distretto industriale. Alcune questioni sulle unità di indagine nell'analisi dello sviluppo." pp. 45
115. Angelika Moryson [1995] "50 Jahre Deutschland. 1945 - 1995" pp. 21
116. Paolo Bosi [1995] "Un punto di vista macroeconomico sulle caratteristiche di lungo periodo del nuovo sistema pensionistico italiano." pp. 32
117. Gian Paolo Caselli e Salvatore Curatolo [1995] "Esistono relazioni stimabili fra dimensione ed efficienza delle istituzioni e crescita produttiva? Un esercizio nello spirito di D.C. North." pp. 11
118. Mario Forni e Marco Lippi [1995] "Permanent income, heterogeneity and the error correction mechanism." pp. 21
119. Barbara Pistoiesi [1995] "Co-movements and convergence in international output. A Dynamic Principal Components Analysis" pp. 14
120. Mario Forni e Lucrezia Reichlin [1995] "Dynamic common factors in large cross-section" pp. 17
121. Giuseppe Marotta [1995] "Il credito commerciale in Italia: una nota su alcuni aspetti strutturali e sulle implicazioni di politica monetaria" pp. 20
122. Giovanni Bonifati [1995] "Progresso tecnico, concorrenza e decisioni di investimento: una analisi delle determinanti di lungo periodo degli investimenti" pp. 25
123. Giovanni Bonifati [1995] "Cambiamento tecnico e crescita endogena: una valutazione critica delle ipotesi del modello di Romer" pp. 21
124. Barbara Pistoiesi e Marcello D'Amato [1995] "La riservatezza del banchiere centrale è un bene o un male? Effetti dell'informazione incompleta sul benessere in un modello di politica monetaria." pp. 32
125. Barbara Pistoiesi [1995] "Radici unitarie e persistenza: l'analisi univariata delle fluttuazioni economiche." pp. 33
126. Barbara Pistoiesi e Marcello D'Amato [1995] "Co-movements in European real outputs" pp. 20
127. Antonio Ribba [1996] "Ciclo economico, modello lineare-stocastico, forma dello spettro delle variabili macroeconomiche" pp. 31
128. Carlo Alberto Magni [1996] "Repeatable and una tantum real options: a dynamic programming approach" pp. 23
129. Carlo Alberto Magni [1996] "Opzioni reali d'investimento e interazione competitiva: programmazione dinamica stocastica in optimal stopping" pp. 26
130. Carlo Alberto Magni [1996] "Vaghezza e logica fuzzy nella valutazione di un'opzione reale" pp. 20
131. Giuseppe Marotta [1996] "Does trade credit redistribution thwart monetary policy? Evidence from Italy" pp. 20
132. Mauro Dell'Amico e Marco Trubian [1996] "Almost-optimal solution of large weighted equicut problems" pp. 30
133. Carlo Alberto Magni [1996] "Un esempio di investimento industriale con interazione competitiva e avversione al rischio" pp. 20
134. Margherita Russo, Peter Børkey, Emilio Cubel, François Lévêque, Francisco Mas [1996] "Local sustainability and competitiveness: the case of the ceramic tile industry" pp. 66
135. Margherita Russo [1996] "Cambiamento tecnico e relazioni tra imprese" pp. 190
136. David Avra Lane, Irene Poli, Michele Lalla, Alberto Roverato [1996] "Lezioni di probabilità e inferenza statistica" pp. 288
137. David Avra Lane, Irene Poli, Michele Lalla, Alberto Roverato [1996] "Lezioni di probabilità e inferenza statistica - Esercizi svolti -" pp. 302
138. Barbara Pistoiesi [1996] "Is an Aggregate Error Correction Model Representative of Disaggregate Behaviours? An example" pp. 24
139. Luisa Malaguti e Costanza Torricelli [1996] "Monetary policy and the term structure of interest rates", pp. 30
140. Mauro Dell'Amico, Martine Labbé, Francesco Maffioli [1996] "Exact solution of the SONET Ring Loading Problem", pp. 20
141. Mauro Dell'Amico, R.J.M. Vaessens [1996] "Flow and open shop scheduling on two machines with transportation times and machine-independent processing times in NP-hard, pp. 10
142. M. Dell'Amico, F. Maffioli, A. Sciomechen [1996] "A Lagrangean Heuristic for the Pirze Collecting Travelling Salesman Problem", pp. 14
143. Massimo Baldini [1996] "Inequality Decomposition by Income Source in Italy - 1987 - 1993", pp. 20
144. Graziella Bertocchi [1996] "Trade, Wages, and the Persistence of Underdevelopment" pp. 20
145. Graziella Bertocchi and Fabio Canova [1996] "Did Colonization matter for Growth? An Empirical Exploration into the Historical Causes of Africa's Underdevelopment" pp. 32
146. Paola Bertolini [1996] "La modernization de l'agriculture italienne et le cas de l'Emilie Romagne" pp. 20
147. Enrico Giovannetti [1996] "Organisation industrielle et développement local: le cas de l'agroindustrie in Emilie Romagne" pp. 18
148. Maria Elena Bontempi e Roberto Golinelli [1996] "Le determinanti del leverage delle imprese: una applicazione empirica ai settori industriali dell'economia italiana" pp. 31
149. Paola Bertolini [1996] "L'agriculture et la politique agricole italienne face aux recents scenarios", pp. 20
150. Enrico Giovannetti [1996] "Il grado di utilizzo della capacità produttiva come misura dei costi di transazione. Una rilettura di 'Nature of the Firm' di R. Coase", pp. 65
151. Enrico Giovannetti [1996] "Il I° ciclo del Diploma Universitario Economia e Amministrazione delle Imprese", pp. 25
152. Paola Bertolini, Enrico Giovannetti, Giulia Santacaterina [1996] "Il Settore del Verde Pubblico. Analisi della domanda e valutazione economica dei benefici", pp. 35
153. Giovanni Solinas [1996] "Sistemi produttivi del Centro-Nord e del Mezzogiorno. L'industria delle calzature", pp. 55
154. Tindara Addabbo [1996] "Married Women's Labour Supply in Italy in a Regional Perspective", pp. 85
155. Paolo Silvestri, Giuseppe Catalano, Cristina Bevilacqua [1996] "Le tasse universitarie e gli interventi per il diritto allo studio: la prima fase di applicazione di una nuova normativa" pp. 159
156. Sebastiano Brusco, Paolo Bertossi, Margherita Russo [1996] "L'industria dei rifiuti urbani in Italia", pp. 25
157. Paolo Silvestri, Giuseppe Catalano [1996] "Le risorse del sistema universitario italiano: finanziamento e governo" pp. 400
158. Carlo Alberto Magni [1996] "Un semplice modello di opzione di differimento e di vendita in ambito discreto", pp. 10
159. Tito Pietra, Paolo Siconolfi [1996] "Fully Revealing Equilibria in Sequential Economies with Asset Markets" pp. 17
160. Tito Pietra, Paolo Siconolfi [1996] "Extrinsic Uncertainty and the Informational Role of Prices" pp. 42
161. Paolo Bertella Farnetti [1996] "Il negro e il rosso. Un precedente non esplorato dell'integrazione afroamericana negli Stati Uniti" pp. 26
162. David Lane [1996] "Is what is good for each best for all? Learning from others in the information contagion model" pp. 18

163. Antonio Ribba [1996] "A note on the equivalence of long-run and short-run identifying restrictions in cointegrated systems" pp. 10
164. Antonio Ribba [1996] "Scomposizioni permanenti-transitorie in sistemi cointegrati con una applicazione a dati italiani" pp. 23
165. Mario Forni, Sergio Paba [1996] "Economic Growth, Social Cohesion and Crime" pp. 20
166. Mario Forni, Lucrezia Reichlin [1996] "Let's get real: a factor analytical approach to disaggregated business cycle dynamics" pp. 25
167. Marcello D'Amato e Barbara Pistoresi [1996] "So many Italies: Statistical Evidence on Regional Cohesion" pp. 31
168. Elena Bonfiglioli, Paolo Bosi, Stefano Toso [1996] "L'equità del contributo straordinario per l'Europa" pp. 20
169. Graziella Bertocchi, Michael Spagat [1996] "Il ruolo dei licei e delle scuole tecnico-professionali tra progresso tecnologico, conflitto sociale e sviluppo economico" pp. 37
170. Gianna Boero, Costanza Torricelli [1997] "The Expectations Hypothesis of the Term Structure of Interest Rates: Evidence for Germany" pp. 15
171. Mario Forni, Lucrezia Reichlin [1997] "National Policies and Local Economies: Europe and the US" pp. 22
172. Carlo Alberto Magni [1997] "La trappola del Roe e la tridimensionalità del Van in un approccio sistemico", pp. 16
173. Mauro Dell'Amico [1997] "A Linear Time Algorithm for Scheduling Outforests with Communication Delays or Two Processor" pp. 18
174. Paolo Bosi [1997] "Aumentare l'età pensionabile fa diminuire la spesa pensionistica? Ancora sulle caratteristiche di lungo periodo della riforma Dini" pp. 13
175. Paolo Bosi e Massimo Matteuzzi [1997] "Nuovi strumenti per l'assistenza sociale" pp. 31
176. Mauro Dell'Amico, Francesco Maffioli e Marco Trubian [1997] "New bounds for optimum traffic assignment in satellite communication" pp. 21
177. Carlo Alberto Magni [1997] "Paradossi, inverosimiglianze e contraddizioni dei Van: operazioni certe" pp. 9
178. Barbara Pistoresi e Marcello D'Amato [1997] "Persistence of relative unemployment rates across Italian regions" pp. 25
179. Margherita Russo, Franco Cavedoni e Riccardo Pianesani [1997] "Le spese ambientali dei Comuni in provincia di Modena, 1993-1995" pp. 23
180. Gabriele Pastrello [1997] "Time and Equilibrium, Two Elusive Guests in the Keynes-Hawtrey-Robertson Debate in the Thirties" pp. 25
181. Luisa Malaguti e Costanza Torricelli [1997] "The Interaction Between Monetary Policy and the Expectation Hypothesis of the Term Structure of Interest rates in a N-Period Rational Expectation Model" pp. 27
182. Mauro Dell'Amico [1997] "On the Continuous Relaxation of Packing Problems - Technical Note" pp. 8
183. Stefano Bordini [1997] "Prova di Idoneità di Informatica Dispensa Esercizi Excel 5" pp. 49
184. Francesca Bergamini e Stefano Bordini [1997] "Una verifica empirica di un nuovo metodo di selezione ottima di portafoglio" pp. 22
185. Gian Paolo Caselli e Maurizio Battini [1997] "Following the tracks of Atkinson and Micklewright: the changing distribution of income and earnings in Poland from 1989 to 1995" pp. 21
186. Mauro Dell'Amico e Francesco Maffioli [1997] "Combining Linear and Non-Linear Objectives in Spanning Tree Problems" pp. 21
187. Gianni Ricci e Vanessa Debba [1997] "Una soluzione evolutiva in un gioco differenziale di lotta di classe" pp. 14
188. Fabio Canova e Eva Ortega [1997] "Testing Calibrated General Equilibrium Model" pp. 34
189. Fabio Canova [1997] "Does Detrending Matter for the Determination of the Reference Cycle and the Selection of Turning Points?" pp. 35
190. Fabio Canova e Gianni De Nicolò [1997] "The Equity Premium and the Risk Free Rate: A Cross Country, Cross Maturity Examination" pp. 41
191. Fabio Canova e Angel J. Ubide [1997] "International Business Cycles, Financial Market and Household Production" pp. 32
192. Fabio Canova e Gianni De Nicolò [1997] "Stock Returns, Term Structure, Inflation and Real Activity: An International Perspective" pp. 33
193. Fabio Canova e Morten Ravn [1997] "The Macroeconomic Effects of German Unification: Real Adjustments and the Welfare State" pp. 34
194. Fabio Canova [1997] "Detrending and Business Cycle Facts" pp. 40
195. Fabio Canova e Morten Ravn [1997] "Crossing the Rio Grande: Migrations, Business Cycle and the Welfare State" pp. 37
196. Fabio Canova e Jane Murrain [1997] "Sources and Propagation of International Output Cycles: Common Shocks or Transmission?" pp. 41
197. Fabio Canova e Albert Marcet [1997] "The Poor Stay Poor: Non-Convergence Across Countries and Regions" pp. 44
198. Carlo Alberto Magni [1997] "Un Criterio Strutturalista per la Valutazione di Investimenti" pp. 17
199. Stefano Bordini [1997] "Elaborazione Automatica dei Dati" pp. 60
200. Paolo Bertella Farnetti [1997] "The United States and the Origins of European Integration" pp. 19
201. Paolo Bosi [1997] "Sul Controllo Dinamico di un Sistema Pensionistico a Ripartizione di Tipo Contributivo" pp. 17
202. Paola Bertolini [1997] "European Union Agricultural Policy: Problems and Perspectives" pp. 18
203. Stefano Bordini [1997] "Supporti Informatici per la Ricerca delle soluzioni di Problemi Decisionali" pp. 30
204. Carlo Alberto Magni [1997] "Paradossi, Inverosimiglianze e Contraddizioni del Van: Operazioni Aleatorie" pp. 10
205. Carlo Alberto Magni [1997] "Tir, Roe e Van: Distorsioni Linguistiche e Cognitive nella Valutazione degli Investimenti" pp. 17
206. Gisella Facchinetti, Roberto Ghiselli Ricci e Silvia Muzzioli [1997] "New Methods For Ranking Triangular Fuzzy Numbers: An Investment Choice" pp.
207. Mauro Dell'Amico e Silvano Martello [1997] "Reduction of the Three-Partition Problem" pp. 19
208. Carlo Alberto Magni [1997] "IRR, ROE and NPV: a Systemic Approach" pp. 20
209. Mauro Dell'Amico, Andrea Lodi e Francesco Maffioli [1997] "Solution of the cumulative assignment problem with a well-structured tabu search method" pp. 25
210. Carlo Alberto Magni [1997] "La definizione di investimento e criterio del Tir ovvero: la realtà inventata" pp. 16
211. Carlo Alberto Magni [1997] "Critica alla definizione classica di investimento: un approccio sistemico" pp. 17
212. Alberto Roverato [1997] "Asymptotic prior to posterior analysis for graphical gaussian models" pp. 8
213. Tindara Addabbo [1997] "Povertà nel 1995 analisi statica e dinamica sui redditi familiari" pp. 64
214. Gian Paolo Caselli e Franca Manghi [1997] "La transizione da piano a mercato e il modello di Ising" pp. 15
215. Tindara Addabbo [1998] "Lavoro non pagato e reddito esteso: una applicazione alle famiglie italiane in cui entrambi i coniugi sono lavoratori dipendenti" pp. 54

216. Tindara Addabbo [1998] "Probabilità di occupazione e aspettative individuali" pp. 36
217. Lara Magnani [1998] "Transazioni, contratti e organizzazioni: una chiave di lettura della teoria economica dell'organizzazione" pp. 39
218. Michele Lalla, Rosella Molinari e Maria Grazia Modena [1998] "La progressione delle carriere: i percorsi in cardiologia" pp. 46
219. Lara Magnani [1998] "L'organizzazione delle transazioni di subfornitura nel distretto industriale" pp. 40
220. Antonio Ribba [1998] "Recursive VAR orderings and identification of permanent and transitory shocks" pp. 12
221. Antonio Ribba [1998] "Granger-causality and exogeneity in cointegrated Var models" pp. 5
222. Luigi Brighi e Marcello D'Amato [1998] "Optimal Procurement in Multiproduct Monopoly" pp. 25
223. Paolo Bosi, Maria Cecilia Guerra e Paolo Silvestri [1998] "La spesa sociale nel comune Modena Rapporto intermedio" pp. 37
224. Mario Forni e Marco Lippi [1998] "On the Microfoundations of Dynamic Macroeconomics" pp. 22
225. Roberto Ghiselli Ricci [1998] "Nuove Proposte di Ordinamento di Numeri Fuzzy. Una Applicazione ad un Problema di Finanziamento" pp. 7
226. Tommaso Minerva [1998] "Internet Domande e Risposte" pp. 183
227. Tommaso Minerva [1998] "Elementi di Statistica Computazionale. Parte Prima: Il Sistema Operativo Unix ed il Linguaggio C" pp. 57
228. Tommaso Minerva and Irene Poli [1998] "A Genetic Algorithms Selection Method for Predictive Neural Nets and Linear Models" pp. 60
229. Tommaso Minerva and Irene Poli [1998] "Building an ARMA model by using a Genetic Algorithm" pp. 60
230. Mauro Dell'Amico e Paolo Toth [1998] "Algorithms and Codes for Dense Assignment Problems: the State of the Art" pp. 35
231. Ennio Cavazzuti e Nicoletta Pacchiarotti [1998] "How to play an Hotelling game in a square town" pp. 12
232. Alberto Roverato e Irene Poli [1998] "Un algoritmo genetico per la selezione di modelli grafici" pp. 11
233. Marcello D'Amato e Barbara Pistoresi [1998] "Delegation of Monetary Policy to a Central Banker with Private Information" pp. 15
234. Graziella Bertocchi e Michael Spagat [1998] "The Evolution of Modern Educational Systems. Technical vs. General Education, Distributional Conflict, and Growth" pp. 31
235. André Dumas [1998] "Le système monétaire Européen" pp. 24
236. Gianna Boero, Gianluca Di Lorenzo e Costanza Torricelli [1998] "The influence of short rate predictability and monetary policy on tests of the expectations hypothesis: some comparative evidence" pp. 30
237. Carlo Alberto Magni [1998] "A systemic rule for investment decisions: generalizations of the traditional DCF criteria and new conceptions" pp. 30
238. Marcello D'Amato e Barbara Pistoresi [1998] "Interest Rate Spreads Between Italy and Germany: 1995-1997" pp. 16
239. Paola Bertolini e Alberto Bertacchini [1998] "Il distretto di lavorazioni carni suine in provincia di Modena" pp. 29
240. Costanza Torricelli e Gianluca Di Lorenzo [1998] "Una nota sui fondamenti matematico-finanziari della teoria delle aspettative della struttura della scadenza" pp. 15
241. Christophe Croux, Mario Fonti e Lucrezia Reichlin [1998] "A Measure of Comovement for Economic Indicators: Theory and Empirics" pp. 23
242. Carlo Alberto Magni [1998] "Note sparse sul dilemma del prigioniero (e non solo)" pp. 13
243. Gian Paolo Caselli [1998] "The future of mass consumption society in the former planned economies: a macro approach" pp. 21
244. Mario Forni, Marc Hallin, Marco Lippi e Lucrezia Reichlin [1998] "The generalized dynamic factor model: identification and estimation" pp. 35
245. Carlo Alberto Magni [1998] "Pictures, language and research: the case of finance and financial mathematics" pp. 35
246. Luigi Brighi [1998] "Demand and generalized monotonicity" pp. 21
247. Mario Forni e Lucrezia Reichlin [1998] "Risk and potential insurance in Europe" pp. 20
248. Tommaso Minerva, Sandra Paterlini e Irene Poli [1998] "A Genetic Algorithm for predictive Neural Network Design (GANND). A Financial Application" pp. 12
249. Gian Paolo Caselli Maurizio Battini [1998] "The Changing Distribution of Earnings in Poland from 1989 to 1996" pp. 9
250. Mario Forni Sergio Paba [1998] "Industrial Districts, Social Environment and Local Growth: Evidence from Italy" pp. 27
251. Lara Magnani [1998] "Un'analisi del distretto industriale fondata sulla moderna teoria economica dell'organizzazione" pp. 46
252. Mario Forni Lucrezia Reichlin [1998] "Federal Policies and Local Economies: Europe and the US" pp. 24
253. Luigi Brighi [1998] "A Case of Optimal Regulation with Multidimensional Private Information" pp. 20
254. Barbara Pistoresi Stefania Luppi [1998] "Gli investimenti diretti esteri nell'America Latina e nel Sud Est Asiatico: 1982-1995" pp. 27
255. Paola Mengoli Margherita Russo [1998] "Technical and Vocational Education and Training in Italy: Structure and Changes at National and Regional Level" pp. 25
256. Tindara Addabbo [1998] "On-the-Job Search: a Microeconomic Analysis on Italian Data" pp. 29
257. Lorenzo Bertucelli [1999] "Il paternalismo industriale: una discussione storiografica" pp. 21
258. Mario Forni e Marco Lippi [1999] "The generalized dynamic factor model: representation theory" pp. 25
259. Andrea Ginzburg e Annamaria Simonazzi [1999] "Foreign debt cycles and the 'Gibson Paradox': an interpretative hypothesis" pp. 38
260. Paolo Bosi [1999] "La riforma della spesa per assistenza dalla Commissione Onofri ad oggi: una valutazione in corso d'opera" pp. 56
261. Marcello D'Amato e Barbara Pistoresi [1999] "Go and soothe the row. Delegation of monetary policy under private information" pp. 23
262. Michele Lalla [1999] "Sampling, Maintenance, and Weighting Schemes for Longitudinal Surveys: a Case Study of the Textile and Clothing Industry" pp. 27
263. Pederzoli Chiara e Torricelli Costanza [1999] "Una rassegna sui metodi di stima del Value at Risk (Var)"
264. Paolo Bosi, Maria Cecilia Guerra e Paolo Silvestri [1999] "La spesa sociale di Modena. La valutazione della condizione economica" pp. 74
265. Graziella Bertocchi e Michael Spagat [1999] "The Politics of Copation" pp. 14
266. Giovanni Bonifati [1999] "The Capacity to Generate Investment. An analysis of the long-term determinants of investment" pp. 22
267. Tindara Addabbo e Antonella Cacumi [1999] "Extended Income and Inequality by Gender in Italy" pp. 40
268. Antonella Caiumi e Federico Perali [1999] "Children and Intra-household Distribution of Resources: An Estimate of the Sharing Rule of Italian Households" pp. 24
269. Vincenzo Atella, Antonella Caiumi e Federico Perali [1999] "Una scala di equivalenza non vale l'altra" pp. 23

270. Tito Pietra e Paolo Siconolfi [1999] "Volume of Trade and Revelation of Information" pp. 31
271. Antonella Picchio [1999] "La questione del lavoro non pagato nella produzione di servizi nel nucleo domestico (Household)" pp.58
272. Margherita Russo [1999] "Complementary Innovations and Generative Relationships in a Small Business Production System: the Case of Kervit" pp. 27
273. André Dumas [1999] "L'Economie de la drogue" pp. 12
274. André Dumas [1999] "L'Euro à l'heure actuelle" pp. 12
275. Michele Lalla Gisella Facchinetti [1999] "La valutazione della attività didattica: un confronto tra scale di misura e insiemi sfocati" pp.32
276. Mario Biagioli [1999] "Formazione e valorizzazione del capitale umano: un'indagine sui paesi dell'Unione Europea" pp.21
277. Mario Biagioli [1999] "Disoccupazione, formazione del capitale umano e determinazione dei salari individuali: un'indagine su microdati nei paesi dell'Unione Europea" pp. 15
278. Gian Paolo Caselli e Giulia Bruni [1999] "Il settore petrolifero russo, il petrolio del Mar Caspio e gli interessi geopolitici nell'area" pp. 28
279. Luca Gambetti [1999] "The Real Effect of Monetary Policy: a New Var Identification Procedure" pp. 22
280. Marcello D'Amato Barbara Pistoiesi [1999] "Assessing Potential Targets for Labour Market Reforms in Italy" pp. 8
281. Gian Paolo Caselli, Giulia Bruni e Francesco Pattarin [1999] "Gaddy and Jekes Model of Russian Barter Economy: Some Criticisms and Considerations" pp. 10
282. Silvia Muzzioli Costanza Torricelli [1999] "A Model for Pricing an Option with a Fuzzy Payoff" pp. 13
283. Antonella Caiumi Federico Perali [1999] "Povertà e Welfare in Italia in Relazione alla Scelta della Scala di Equivalenza" pp.25
284. Marcello Galli Tommaso Minerva [1999] "Algoritmi Genetici per l'Evoluzione di Modelli Lineari *Metodologia ad Applicazioni*" pp. 36
285. Mario Forni Sergio Paba [1999] "Knowledge Spillovers and the Growth of Local Industries" pp. 20
286. Gisella Facchinetti Giovanni Mastroleo [1999] "Un confronto tra uno score card ed un approccio fuzzy per la concessione del credito personale" pp.27
287. Gisella Facchinetti Giovanni Mastroleo e Sergio Paba [1999] "A Statistical and Fuzzy Algorithm for the Identification of Industrial Districts" pp. 6
288. Tommaso Minerva [1999] "Didattica e Informatica- *Una indagine Statistica relativa alla Provincia di Modena sul rapporto tra Insegnanti e Nuove Tecnologie*" pp. 46
289. Andrea Ginzburg [1999] "Sraffa e l'analisi sociale: alcune note metodologiche" pp. 37
290. Consolato Pellegrino Carla Fiori [1999] "Piani Formalmente Euclidei" pp. 11
291. Nicolina A. Malara, Maria Teresa Brandoli e Carla Fiori [1999] "Comportamenti di Studenti in Ingresso all'Università di Fronte allo Studio di Disequazioni" pp. 15
292. Consolato Pellegrino Maria Teresa Brandoli [1999] "Il Principio D'Induzione Euristica-Mente Parlando" pp. 11
293. Paolo Bertella Farnetti [1999] "Winston Churchill e l'unità europea" pp. 25
294. Tindara Addabbo Massimo Baldini [1999] "Safety net and poverty dynamics in Italy in the early nineties" pp. 23
295. Margherita Russo [2000] "Innovation Dynamics and Industrial Dynamics in a Local Production System. Changes in the Agents/Artifacts Space in Tile Decoration: from Silk Screen to Laser Engraved Silicon Cylinder" pp. 45
296. Gianluca Masci e Margherita Russo [2000] "L'attività brevettuale nel distretto ceramico, 1971-1998" pp. 41
297. Paola Mengoli e Margherita Russo [2000] "Competenze, innovazione e sviluppo locale" pp. 31
298. Gian Paolo Caselli e Tommaso Minerva [2000] "The Transition Process in Russia and China and the Ising Model" pp. 30
299. Gisella Facchinetti, Giovanni Mastroleo e Sergio Paba [2000] "A Fuzzy Approach to the Empirical Identification of Industrial Districts" pp. 7
300. Tommaso Minerva, Irene Poli and Sebastiano Brusco [2000] "A Cellular Automaton as a Model to Study the Dynamics of an Industrial District" pp. 6
301. Gisella Facchinetti [2000] "Il problema della misurazione del rischio di credito: una rassegna critica di metodologie" pp. 13
302. Marco Mazzoli [2000] "Investments and Financial Structure with Imperfect Financial Markets: an Intertemporal Discrete-Time Framework" pp.13
303. Giuseppe Marotta [2000] "Il credito commerciale in Italia: evidenza su dati d'impresa" pp. 29
304. Marco Mazzoli [2000] "Credit Channel and Industrial Firms' Market Power" pp. 15
305. Gisella Facchinetti e Giovanni Mastroleo [2000] "The Mamdani and the \forall -operator in a Fuzzy Logic Control System" pp. 17
306. Giovanni Solinas e Giovanni Mastroleo [2000] "Benchmarking certificazione della qualità e piccole imprese. La sperimentazione di un modello europeo nelle piccole imprese in Emilia Romagna" pp. 45
307. Margherita Russo, Giorgio Allari, Silvano Bertini, Paolo Bonaretti, Elio De Leo, Giuseppe Fiorani and Gianni Rinaldini [2000] "The Challenges for the Next Debate: Notes for a Debate on the Development of the Emilia-Romagna Region" pp. 27
308. Giovanni Mastroleo [2000] "L' integrazione dell'indagine statistica con l' approccio fuzzy nel controllo di efficacia: il monitoraggio sugli obiettivi raggiunti nell'ambito di un P.O.M" pp. 24
309. Gisella Facchinetti, Stefano Bordoni e Giovanni Mastroleo [2000] "Bank Creditworthiness Using Fuzzy Systems: A Comparison with a Classical Analysis Approach" pp. 13
310. Margherita Russo e Raffaele Giardino [2000] "Struttura e cambiamento nelle relazioni tra le imprese meccaniche. I. La popolazione di imprese meccaniche della provincia di Modena procedure impiegate per integrare le informazioni amministrative del Registro Imprese e dell'Inps" pp. 32
311. Tommaso Minerva e Sandra Paterlini [2000] "Tecniche Computazionali per la Statistica, l' Economia e la Finanza, *Materiale Didattico a Supporto del Corso di Statistica Computazionale*" pp.52
312. Costanza Torricelli e Silvia Muzzioli [2000] "Combining the Theory of Evidence with Fuzzy Sets for Binomial Option Pricing" pp.20
313. Marco Mazzoli e Roberto Negrini [2000] "Strumenti finanziari negoziabili e incentivo-compatibili per le imprese cooperative. *Alcune considerazioni teoriche e di policy*" pp. 32
314. Giacomo Galeotti e Tommaso Minerva [2000] "Algoritmi ibridi per l'ottimizzazione di un Portafoglio Azionario. *Simulazione stocastica filtrata mediante wavelet decomposition*" pp.33
315. Alberto Roverato [2000] "Hyper Inverse Wishart Distribution for Non-Decomposable Graphs and its Application to Bayesian Inference for Gaussian Graphical Models" pp. 29
316. Carlo Alberto Magni [2000] "Scomposizione di sovrapprofitti: Economic Value Added e valore aggiunto sistematico" pp. 25
317. Carlo Alberto Magni [2000] "Decomposition of a Certain Cash Flow Stream: Systemic Value Added and Net Final Value" pp. 30
318. Carlo Alberto Magni [2000] "Systemic Value Added, Residual Income and Decomposition of a Cash Flow Stream" pp 27
319. Gisella Facchinetti e Giovanni Mastroleo [2000] "La valutazione del rischio di frode nel ramo assicurativo R.C. auto: una proposta in logica Fuzzy" pp. 16

320. Gian Paolo Caselli e Gabriele Pastrello [2000] "Eltsin: Dimissioni o Licenziamento?" pp. 18
321. Gisella Facchinetti, Carlo Alberto Magni e Giovanni Mastroleo [2000] "Real Options: a Fuzzy Approach for Strategic Investments" pp.44
322. Stefano Bordoni [2000] "Applicazione Fuzzy per la determinazione del premio assicurativo" pp. 35
323. Gabriele Pastrello [2000] "Una distrazione di Marx" pp. 17
324. Marco Mazzoli [2000] "Canale creditizio, struttura di mercato, modifiche istituzionali e meccanismo di trasmissione della politica monetaria" pp. 18
325. Paola Bertolini e Luca Riazzi [2000] "L'applicabilità dello strumento futures al Mediterraneo: riflessioni su un fallimento" pp.28
326. Enrico Giovannetti [2000] "Istituzioni e costi transattivi: l'impatto della regolazione dell'offerta nelle filiere agroindustriali" pp. 26
327. Gian Paolo Caselli e Marta Rosso [2000] "La moneta elettronica: aspetti di regolamentazione finanziaria".
328. Barbara Pistoresi e Chiara Strozzi [2000] "Labor Productivity and Labor Cost Dynamics in Italy: the Role of Wage Bargaining" pp. 23
329. Carlo Alberto Magni [2000] "Valore Aggiunto Sistemico: un'alternativa all'EVA quale indice di sovrapprofitto periodale" pp. 11
330. Carlo Alberto Magni [2000] "On Decomposing Net Final Values: Systemic Value Added and Shadow Project" pp. 26
331. Massimo Baldini [2000] "MAP98: un Modello di Analisi delle Politiche Pubbliche" pp. 24
332. Paolo Bosi, Massimo Baldini, Maria Cecilia Guerra e Paolo Silvestri [2000] "La scelta tra ICI e Addizionale all'Irpef nella Politica tributaria locale: aspetti distributivi" pp. 27
333. Marina Murat e Sergio Paba [2000] "Flussi migratori e modelli di sviluppo industriale. L'esperienza italiana dal dopoguerra agli anni novanta" pp. 32
334. Marco Mazzoli e Roberto Negrini [2000] "Incentive-Compatible Financial Instruments for Co-Operative Firms: a Few Policy Considerations" pp. 27
335. Massimo Baldini e Paolo Bosi [2000] "Riforme trasparenti e proposte opache" pp. 10
336. Paolo Bosi [2000] "La selettività nelle politiche sociali in Italia: riflessioni sull'esperienza dell'Isce" pp. 16
337. Massimo Baldini, Paolo Bosi e Stefano Toso [2000] "Targeting Welfare in Italy: Old Problems and Perspectives of Reform" pp. 21
338. Tindara Addabbo e Massimo Baldini [2000] "The Gender Impact of Workfare Policies in Italy and the Effect of Unpaid Work" pp. 15
339. Gian Paolo Caselli e Thoma Grid [2000] "La storia economica albanese 1912-1939 e lo stabilirsi dell'egemonia italiana" pp. 46
340. Tommaso Minerva [2000] "La costruzione di modelli con algoritmi genetici" pp. 183
341. Giovanni Bonifati [2000] "PRODUZIONE, INVESTIMENTI E PRODUTTIVITA'. Rendimenti crescenti e cambiamento strutturale nell'industria manifatturiera americana (1960-1994)" pp. 43
342. Luciano Messori [2000] "Struttura e quantificazione di una imposizione fiscale Pigouviana sulla benzina" pp. 20
343. Carlo Alberto Magni [2000] "Zelig and the Art of Measuring Residual Income" pp. 18
344. Sandra Paterlini, Stefano Favaro e Tommaso Minerva [2001] "Genetic Approaches for Data Clustering" pp. 4
345. Enrico Giovanetti [2001] "Processi di vita delle imprese cooperative: mezzo secolo di cooperazione a Modena, dal dopoguerra a oggi" pp. 34
346. Giuseppe Marotta [2001] "Is Trade Credit More Expensive Than Bank Loans? Evidence from Italian Firm-level Data" pp. 26
347. Massimo Baldini e Paolo Bosi [2001] "Flat Rate Tax, Dividendo sociale e riforma dei programmi di spesa di assistenza" pp. 34
348. Paolo Bosi e Maria Cecilia Guerra [2001] "Meno Tasse per tutti: lusinghe e ambiguità di uno slogan" pp. 17
349. Danilo Mercurio e Costanza Torricelli [2001] "Estimation and Arbitrage Opportunities for Exchange Rate Baskets" pp. 27
350. Gian Paolo Caselli e Grid Thoma [2001] "L'economia albanese durante il secondo conflitto mondiale e il primo tentativo di pianificazione" pp n. 33
351. Massimo Baldini e Carlo Mazzaferro [2001] "Sistema pensionistico e distribuzione dei redditi in Italia dal 1997 al 1998: un'analisi sull'archivio storico dell'indagine campionaria della banca d'Italia" pp.16
352. Silvia Giannini [2001] "La tassazione del reddito d'impresa e le scelte di investimento, finanziamento e localizzazione dell'attività produttiva" pp. 13
353. Michele Baccarini [2001] "Un quadro normativo delle fattispecie contrattuali "atipiche" in Italia. *Disciplina legislativa e definizioni statistiche del lavoro a tempo parziale*" pp. 29
354. Michele Baccarini [2001] "Sul grado di volontarietà e di sottoccupazione del lavoro dipendente "atipico". *Un'analisi delle valutazioni dei lavoratori*" pp. 43
355. Maria Cecilia Guerra [2001] "La Previdenza Complementare deve essere incentivata fiscalmente?" pp. 22
356. Gabriele Pastrello [2001] "An Oversight of Marx's" pp. 66
357. Alberto Roverato e Consonni Guido [2001] "Compatible prior distributions for DAG models" pp. 28
358. Luigi Brighi e Reinhard John [2001] "Characterizations of Pseudomonotone Maps and Economic Equilibrium" pp.25
359. Luigi Brighi [2001] "A Stronger Criterion for the Weak Weak Axiom" pp.16
360. Luigi Brighi [2001] "The Weak Axiom, the σ -Axiom and Complete Non-Transitive Rationality" pp.14
361. Luigi Brighi e Reinhard John [2001] "Some Conditions for Wald's Weak Axiom" pp. 10
362. Sebastiano Brusco, Tommaso Minerva e Giovanni Solinas [2001] "Un automa cellulare per lo studio dei distretti industriali" pp. 30
363. Nicola Walter Palmieri [2001] "Internet e la libertà di espressione" pp. 65
364. Marco Mazzoli [2001] "A Simple Enquiry on Heterogeneous Lending Rates and Lending Behaviour" pp. 37
365. Massimo Baldini e Paolo Onofri [2001] "Transizione demografica e mercati finanziari" pp. 19
366. Marco Mazzoli [2001] "Industrial Firms' Market Power and Credit Market Oligopsony in Developing Countries" pp.14
367. Gisella Facchinetti, Silvio Giove e Nicoletta Pacchiarotti [2001] "Optimisation of a Fuzzy non Linear Function" pp. 10
368. Silvia Muzzioli e Costanza Torricelli [2001] "Implied Trees in Illiquid Markets: a Choquet Pricing Approach" pp. 18
369. Cinzia Mortarino [2001] "A Decomposition for a Stochastic Matrix with an Application to Manova" pp.
370. Sandra Paterlini e Tommaso Minerva [2001] "Evolutionary Cluster Analysis" pp. 8
371. Paola Bertolini [2001] "Globalisation et Systèmes Agro-alimentaires de qualité en Italie. Le cas du District de Trasformation des Viandes Porcines" pp. 28
372. Sandra Paterlini, Francesco Pattarin e Tommaso Minerva [2001] "Time Series and Data Clustering with Evolutionary Approaches" pp. 26

373. Giovanna Procacci, Luigi Tommasini, Nicola Labanca, Giancarlo Falco, Fabrizio Bienintesi, Alessandro Polsi, Paul Corner e Leonardo Paggi [2001] "Assistenzialismo e politiche di controllo sociale nell' Italia liberale e fascista" pp. 240
374. Andrea Ginzburg e Antonio Ribba [2001] "Vizi e virtù del monetarismo democratico: un promemoria per il futuro" pp. 31
375. Giuseppe Marotta [2001] "La direttiva comunitaria contro i ritardi nei pagamenti tra imprese. Alcune riflessioni sul caso italiano" pp. 20
376. Carlo Mazzaferro e Stefano Toso [2001] "La spesa per previdenza ed assistenza: riforme in corso e nuovi scenari" pp.16
377. Silvia Giannini e Maria Cecilia Guerra [2001] "Requiem per la riforma Visco?" pp.25
378. Andrea Francalanci e Stefano Toso [2001] "Spesa sociale e meccanismi di mercato: i buoni servizio (*vouchers*)" pp. 25
379. Maria Elena Bontempi, Silvia Giannini, Maria Cecilia Guerra e Angela Tiraferri [2001] "Incentivi agli investimenti e tassazione del reddito di impresa: una valutazione delle recenti innovazioni normative" pp. 33
380. Marina Murat [2001] "Growth, Trade and Unemployment" pp.34
381. Tindara Addabbo F. Olivier [2001] "Offerta di lavoro e servizi all'infanzia in Italia" pp.23
382. Enrico Giovannetti [2001] "Evoluzione delle imprese cooperative: un'analisi con i modelli di durata" pp.22
383. Luigi Brighi e Marcello D'Amato [2001] "Two-Dimensional Screening: A Case of Monopoly Regulation" pp. 20
384. Enrico Giovannetti [2001] "Le virtù dei commons: imprese cooperative e formazione di beni pubblici di filiera" pp. 30
385. Enrico Giovannetti [2001] "La divisione del lavoro è limitata dalla divisione del lavoro" pp. 26
386. Paola Bertolini, Michele Bruni e Enrico Giovannetti [2001] "Struttura produttiva e mercato del lavoro nell'agroindustria: evoluzione tecnologica e bisogni formativi" pp. 174
387. Luca Gambetti e Barbara Pistoiesi [2001] "Policy Matters. The Long Run Effects of Aggregate Demand and Mark Up Shocks on the Italian Unemployment Rate" pp. 19
388. Paola Bertolini e Montanari Marco [2001] "Valutazione dell'allargamento dell'unione europea ad Est attraverso un modello gravitazionale" pp. 20
389. Massimo Baldini [2001] "Politiche Pubbliche Locali e Disuguaglianza dei Redditi" pp. 39
390. Carlo Mazzaferro [2001] "Uno schema per la valutazione del trattamento fiscale del risparmio pensionistico" pp.16
391. Paolo Bertella Farnetti [2001] "Disegni d'Europa. La lotta per l'unità europea negli Stati Uniti, 1940-1945" pp. 46
392. Claudio Marra [2001] "Fattori sociologici e fattori psicologici nello studio delle relazioni interretliche: il concetto di atteggiamento" pp. 119
393. Anna Maria Sala [2001] "Marchio di qualità e servizi turistici" pp.33
394. Michele Lalla [2001] "Struttura e cambiamento nelle relazioni tra le imprese metalmeccaniche nella provincia di Modena. II Distribuzioni degli addetti e pesi per le stime dei parametri" pp. 24
395. Silvia Giannini e Carola Maggiulli [2001] "The effective tax rates in the EU Commission Study on corporate taxation: methodological aspects, main results and policy implications" pp. 22
396. Elena Pirani e Margherita Russo [2001] "Struttura e cambiamento nelle relazioni tra le imprese metalmeccaniche nella provincia di Modena III. Aspetti metodologici dell'indagine empirica: fase di rilevazione, controlli e statistiche preliminari" pp 52
397. Margherita Russo e Rossella Ruggeri [2001] "Memoria e identità: un binomio creativo. *Proposta per il recupero di parte dell'edificio della più antica fabbrica metalmeccanica di Modena: Officine Rizzi*" pp. 38
398. Margherita Russo e Elena Pirani [2001] "Struttura e dinamica dei cambiamenti nelle relazioni tra le imprese metalmeccaniche in provincia di Modena. IV Primi risultati dell'indagine empirica" pp. 88
399. Giovanni Solinas [2002] "La certificazione come strumento per la politica industriale. *L'esperienza dell'Emilia Romagna*" pp. 28
400. Antonio Ribba [2002] "Persistent Disinflationary Effects on Unemployment in a Small Open Economy: Italy 1979-1995" pp. 20
401. Dino Rizzi e Paolo Silvestri [2002] "The Evaluation of the Italian University System: a Recent History" pp. 23
402. Paolo Bosi e M. Cecilia Guerra [2002] "The Role of Tax Incentives in Voluntary Pensions Schemes in Italy: whar can other Countries learn from this? pp.23
403. Baldini Massimo e Paolo Bosi [2002] "La riforma dell'imposta sul reddito: aspetti di equità e di efficienza" pp. 36
404. Donoghue, Baldini, Bosi, Mantovani, Toso et Al.[2002] "The Impact of Means Tested Assistance in Southern Europe" pp.20
405. Bertella Farnetti [2002] "George Kennan e la divisione dell'Europa dopo la seconda guerra mondiale" pp. 111
406. Francesco Forte Gisella Facchinetti Michela Mantovani e Giovanni Mastroleo [2002] "Auction Reserve Prices Modelled by Fuzzy Export System" pp.16
407. Stephane Ghio e Barbara Pistoiesi [2002] "The Importance of Local and Global Externalities for the Urban Industrial Development. A Dynamic Factor Analysis" pp. 13
408. Antonio Ribba [2002] "Short-Run and Long-Run Interaction Between Inflation and Unemployment in the United States" pp. 7
409. Antonella Picchio [2002] "Fieno, carote, pane e rose: salario netto e di sussistenza nelle carte dell'archivio di Sraffa" pp. 45
410. Antonella Picchio [2002] "Needs and Passions of Human Subsistence in the Moral Economy of the Early 18th Century" pp. 26
411. Antonio Ribba [2002] "Permanent-Transitory Decomposition and Traditional Measures of Core Inflation" pp. 9
412. Baldini M., Onofri P., Mazzaferro C. [2002] "The Reform of Italian Pension System and its Effects on Saving Behaviour" pp.82
413. Massimo Gatti e Costanza Torricelli [2002] "Quanto reale è il potere delle opzioni reali? *Le imprese Tmt e il caso Tiscali*" pp. 30
414. Giovanni Bonifati [2002] "The Relationships Between Goods-Producing and Services-Producing Activities in the US Economy: an Intersectoral Analysis" pp. 26
415. M. Baldini, P. Bosi, M. Matteuzzi, [2002] "L'imposta sul reddito nel disegno di legge sulla riforma del sistema tributario: aspetti di equità e di efficienza" pp. 19
416. Giovanni Mottura [2002] "NON SOLO BRACCIA. Condizioni di lavoro e percorsi di inserimento sociale degli immigrati in un'area ad economia diffusa" pp. 165
417. Alberto Rinaldi [2002] "The Emilian Model Revisited: Twenty Years After" pp. 28
418. Anna Maria Sala [2002] "Marchio di qualità e servizi turistici. *L'offerta alberghiera*" pp. 69
419. Carlo Alberto Magni [2002] "Antinomie e illusioni cognitive nel criterio del valore attuale netto" pp. 28
420. Graziella Bertocchi [2002] "The Law of Primogeniture and the Transition from Landed Aristocracy to Industrial Democracy" pp. 42
421. Nicola Walter Palmieri [2002] "Diritto della comunicazione e dell'informazione" pp.280
422. Paolo Bertella Farnetti [2002] "Coudenhove-Kalergi, Fulbright e la Lotta per gli Stati Uniti d'Europa" pp. 83
423. Alberto Roverato e Sandra Paterlini [2002] "Technological Modelling for Graphical Models: an Approach Based on Genetic Algorithms" pp. 20

- 424 Antonella Picchio [2002] “ Un approccio macroeconomico ad uno standar di vita esteso” pp.
- 425 Antonio Ribba [2003] “The Joint Dynamics of Inflation, Unemployment and Interest Rate in the United States Since 1980” pp. 13
- 426 Alberto Rinaldi e Michelangelo Vasta [2003] “The Structure of Italian Capitalism, 1952-1972: New Evidence Using the Interlocking Directorates Technique” pp.37
- 427 Paolo Bosi [2003] “Politica dei redditi e riforme del Welfare” pp. 18
- 428 Michele Lalla [2003] “Una strategia di ripartizione dei fondi di incentivazione dei professori e dei ricercatori universitari” pp.29
- 429 Giuseppe Marotta [2003] “When do Trade Credit Discounts Matter? Evidence from Italian Firm-Level Data” pp. 26
- 430 Carlo Alberto Magni [2003] “Cost, Profit and Counterfactual Conditionals” pp.28
- 431 Michele Lalla [2003] “Il disegno dell’indagine sulle condizioni economiche e sociali delle famiglie nella Provincia di Modena” pp. 47
- 432 Chiara Pederzoli [2003] “Stochastic Volatility and GARCH: A comparison based on UK stock data” pp.24
- 433 Tindara Addabbo [2003] “Gender auditing dei bilanci e delle politiche pubbliche” pp.
- 434 Gianni Ricci e Michele Lalla [2003] “Organizzazione e valutazione della didattica nella Facoltà di Economia di Modena” pp. 64
- 435 Chiara Strozzi [2003] “The sustainability of Transnational Collective Bargaining Policies” pp. 33
- 436 Marianna Brunetti e Costanza Torricelli [2003] “The Put-Call Parity in the Index Options Markets. *Further results for the Italian Mib30 Options market*” pp. 23
- 437 Margherita Russo e Elena Pirani [2003] “Struttura e cambiamento nelle relazioni tra le imprese metalmeccaniche della provincia di Modena. V. Tecnologie dell’informazione, dimensione dell’impresa e natura sistemica dei fenomeni organizzativi” pp.
- 438 Margherita Russo e Elena Pirani [2003] “Competition and cooperation in a metal engineering production system” pp.

